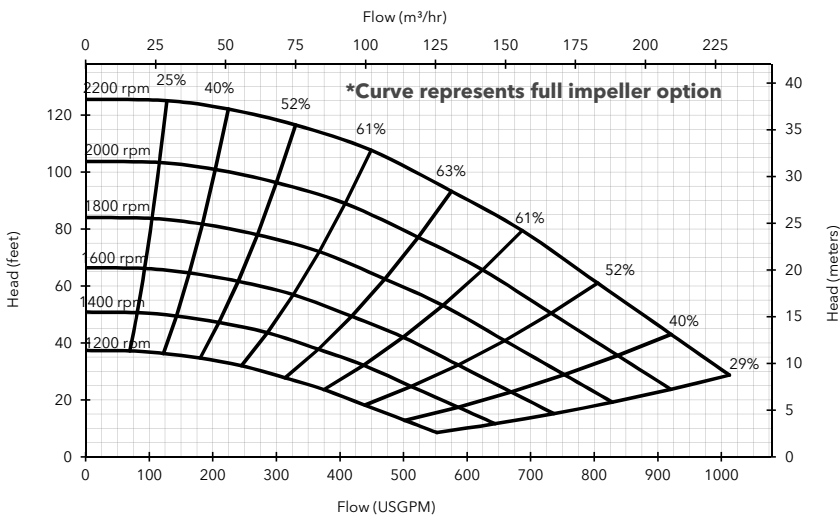


Performance Curve



Engine option 1 (full impeller)

Yanmar 3TNV88C (FT4), 30 HP @ 2200 rpm

Impeller diameter 9.1"

Pump speed 2200 rpm

Suction Lift Table

Total Suction Head (feet)	Total Delivery Head (feet)				
	17	44	57	73	87
10	956	872	788	675	546
15	900	816	731	619	450
20	703	664	619	534	394
25	450	422	394	338	225

Fuel capacity: 30 US Gal

Max Fuel consumption @ 2200 rpm: 1.6 US Gal/hr

Max Fuel consumption @ 1800 rpm: 0.9 US Gal/hr

Weight (Dry): 1,860 lbs

Weight (Wet): 2,080 lbs

Dim.: (L) 102" x (W) 54" x (H) 70"

Performance data provided in tables is based on water tests at sea level and 20°C ambient. All information is approximate and for general guidance only. Please contact the factory or office for further details.

Materials

Pump casing & suction cover	Cast iron BS EN 1561 - 1997
Wearplates	Cast iron BS EN 1561 - 1997
Pump Shaft	Carbon steel BS 970 - 1991 817M40T
Impeller	Cast Steel BS3100 A5 Hardness to 200 HB Brinell
Non-return valve body	Cast iron BS EN 1561 - 1997
Mechanical seal	Silicon carbide face; Viton elastomers; Stainless steel body

Engine option 2 (trimmed impeller)

Yanmar 3TNV88F (FT4), 24 HP @ 2200 rpm

Impeller diameter 7.9"

Pump speed 2200 rpm

Suction Lift Table

Total Suction Head (feet)	Total Delivery Head (feet)				
	10	31	41	53	63
10	832	758	685	587	475
15	783	709	636	538	391
20	612	577	538	465	342
25	391	367	342	294	196

Fuel capacity: 30 US Gal

Max Fuel consumption @ 2200 rpm: 1.1 US Gal/hr

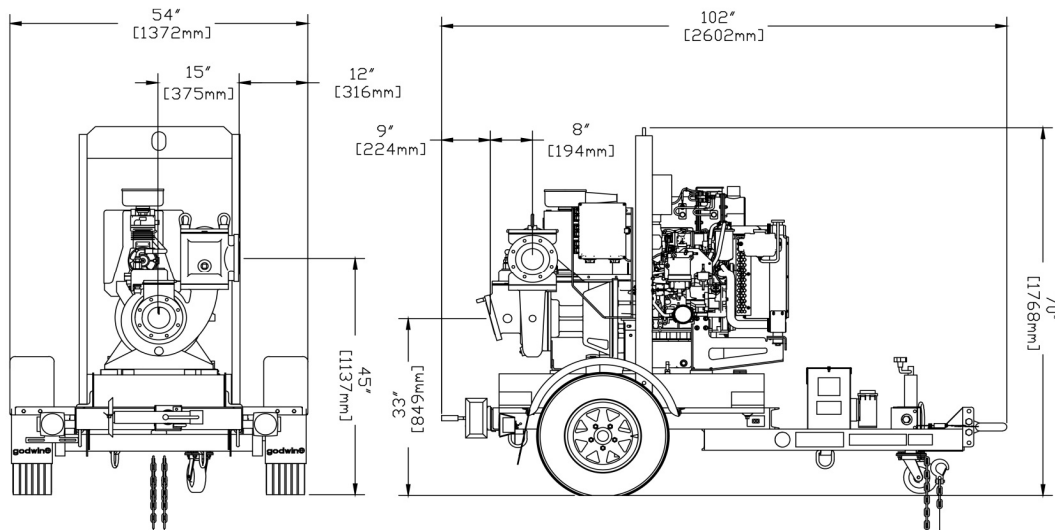
Max Fuel consumption @ 1800 rpm: 0.6 US Gal/hr

Weight (Dry): 1,850 lbs

Weight (Wet): 2,070 lbs

Dim.: (L) 102" x (W) 54" x (H) 70"

Performance data provided in tables is based on water tests at sea level and 20°C ambient. All information is approximate and for general guidance only. Please contact the factory or office for further details.



84 Floodgate Road
Bridgeport, NJ 08014 USA
(856) 467-3636 . Fax (856) 467-4841

Reference number : 95-1026-3000
Date of issue : January 7, 2015
Issue : 1

www.godwinpumps.com