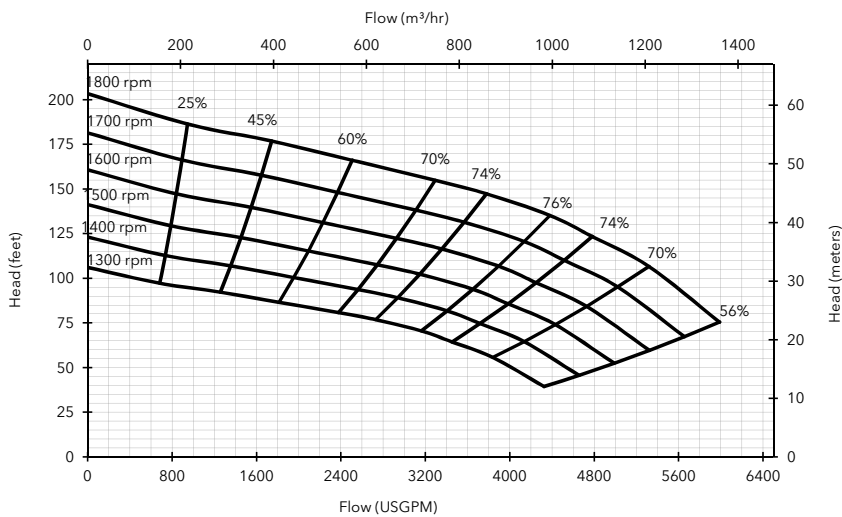


Performance Curve



Engine option 1

Caterpillar C9 (T3 Flex), 300 HP @ 1800 rpm

Impeller diameter 14.3"

Pump speed 1800 rpm

Suction Lift Table

Total Suction Head (feet)	Total Delivery Head (feet)				
	61	99	132	141	156
	Output (USGPM)				
10	6076	5283	4121	3540	2589
15	5917	5019	3646	3064	2108
20	5283	4755	2906	2113	1057
25	4227	3963	2642	2113	-

Fuel capacity: 240 US Gal

Max Fuel consumption @ 1800 rpm: 15.1 US Gal/hr

Max Fuel consumption @ 1600 rpm: 14.3 US Gal/hr

Weight (Dry): 9,500 lbs

Weight (Wet): 11,230 lbs

Dim.: (L) 160" x (W) 71" x (H) 97"

Performance data provided in tables is based on water tests at sea level and 20°C ambient. All information is approximate and for general guidance only. Please contact the factory or office for further details.

Materials

Pump casing & suction cover	Cast iron BS EN 1561 - 1997
Wearplates	High Chromium Cast Iron HC403:1977
Pump Shaft	Carbon steel BS 970 - 1991 817M40T
Impeller	Cast Steel BS3100 A5 Hardness to 200 HB Brinell
Non-return valve body	Cast iron BS EN 1561 - 1997
Mechanical seal	Double Mech seal; Silicon carbide face; Viton elastomers; Stainless steel body

Engine option 2

John Deere 6068HFC94 (IT4), 219 HP @ 1800 rpm

Impeller diameter 14.3"

Pump speed 1800 rpm

Suction Lift Table

Total Suction Head (feet)	Total Delivery Head (feet)				
	61	99	132	141	156
	Output (USGPM)				
10	6076	5283	4121	3540	2589
15	5917	5019	3646	3064	2108
20	5283	4755	2906	2113	1057
25	4227	3963	2642	2113	-

Fuel capacity: 240 US Gal

Max Fuel consumption @ 1800 rpm: 10.8 US Gal/hr

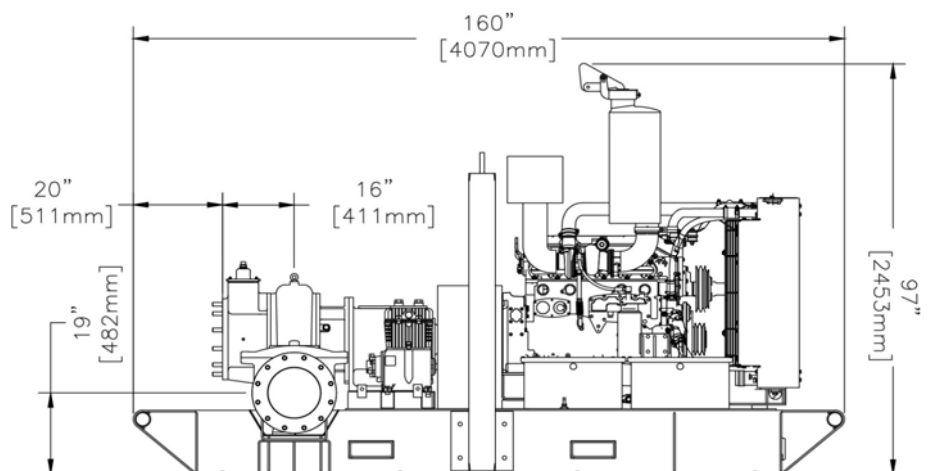
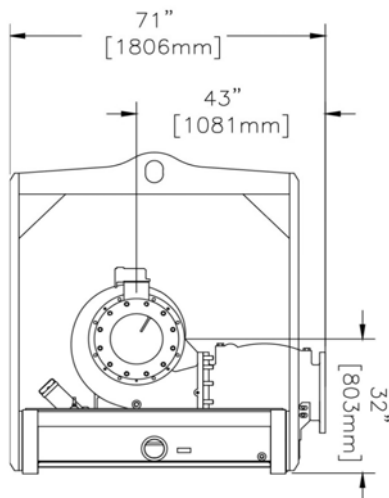
Max Fuel consumption @ 1400 rpm: 8.8 US Gal/hr

Weight (Dry): 10,100 lbs

Weight (Wet): 11,830 lbs

Dim.: (L) 160" x (W) 71" x (H) 97"

Performance data provided in tables is based on water tests at sea level and 20°C ambient. All information is approximate and for general guidance only. Please contact the factory or office for further details.



84 Floodgate Road
Bridgeport, NJ 08014 USA
(856) 467-3636 . Fax (856) 467-4841
Email: sales@godwinpumps.com

Reference number : 95-1018-3000
Date of issue : February 26, 2014
Issue : 5

www.godwinpumps.com