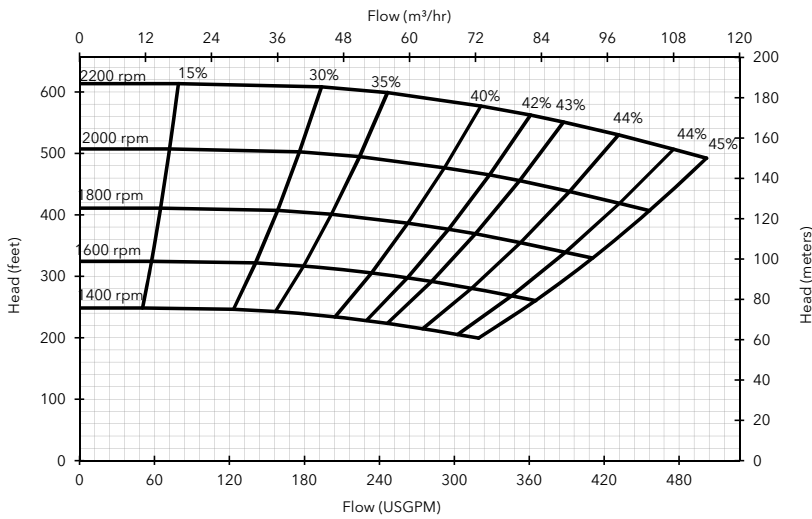


## Performance Curve



### Engine option 1

John Deere 6068HF285 (T3 Flex), 156 HP @ 2200 rpm

Impeller diameter 18.3"

Pump speed 2200 rpm

#### Suction Lift Table

Total Suction Head (feet)	Total Delivery Head (feet)				
	455	506	546	570	590
	Output (USGPM)				
10	533	460	387	315	242
15	523	436	363	291	170
20	509	412	339	266	145
25	484	387	291	194	-

Fuel capacity: 180 US Gal

Max Fuel consumption @ 2200 rpm: 8.6 US Gal/hr

Max Fuel consumption @ 1800 rpm: 7.5 US Gal/hr

Weight (Dry): 5,950 lbs

Weight (Wet): 6,740 lbs

Dimensions: (L) 138" x (W) 53" x (H) 84"

Performance data provided in tables is based on water tests at sea level and 20°C ambient. All information is approximate and for general guidance only. Please contact the factory or office for further details.

## Materials

Pump casing & suction cover	Cast steel BS3100 A5
Wearplates	High Chrome Cast Iron Hardened to 625 HB Brinell
Pump Shaft	Carbon steel BS 970 - 1991 817M40T
Impeller	Cast Steel BS3100 A5 Hardness to 200 HB Brinell
Non-return valve body	Cast Steel
Mechanical seal	Silicon carbide face; Viton elastomers; Stainless steel body

### Engine option 2

John Deere 6068HC93 (IT4), 158 HP @ 2200 rpm

Impeller diameter 18.3"

Pump speed 2200 rpm

#### Suction Lift Table

Total Suction Head (feet)	Total Delivery Head (feet)				
	455	506	546	570	590
	Output (USGPM)				
10	533	460	387	315	242
15	523	436	363	291	170
20	509	412	339	266	145
25	484	387	291	194	-

Fuel capacity: 180 US Gal

Max Fuel consumption @ 2200 rpm: 8.3 US Gal/hr

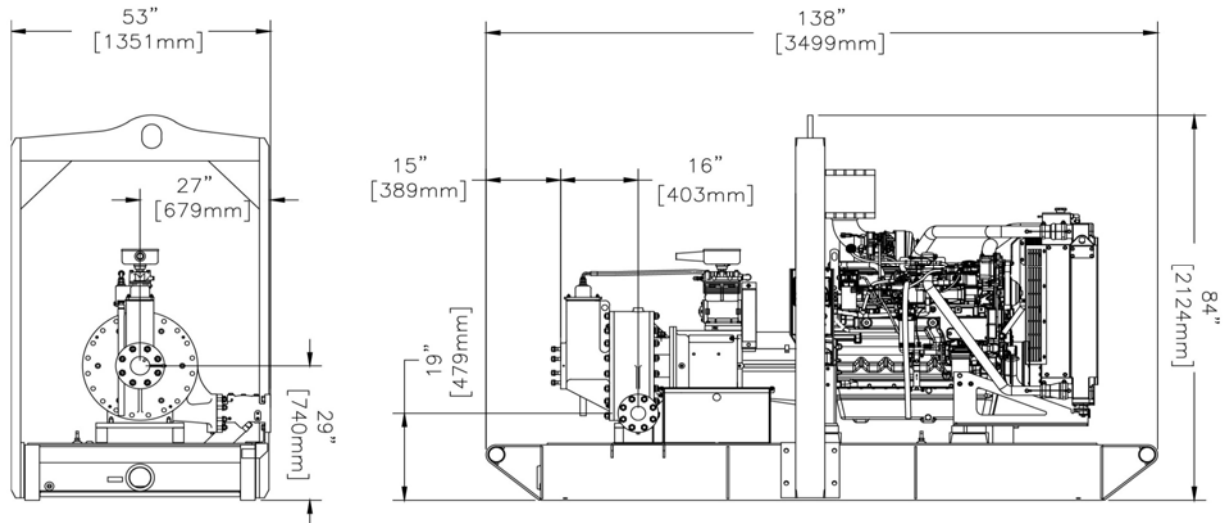
Max Fuel consumption @ 1800 rpm: 7.5 US Gal/hr

Weight (Dry): 6,610 lbs

Weight (Wet): 7,910 lbs

Dimensions: (L) 138" x (W) 53" x (H) 84"

Performance data provided in tables is based on water tests at sea level and 20°C ambient. All information is approximate and for general guidance only. Please contact the factory or office for further details.



84 Floodgate Road  
Bridgeport, NJ 08014 USA  
(856) 467-3636 . Fax (856) 467-4841  
Email: sales@godwinpumps.com

Reference number : 95-1115-3000  
Date of issue : February 26, 2014  
Issue : 3

[www.godwinpumps.com](http://www.godwinpumps.com)