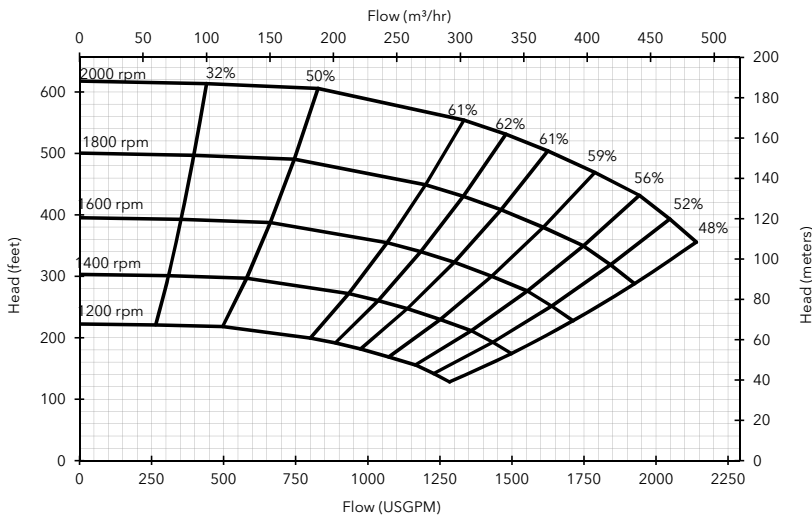


Performance Curve



Engine option 1

Caterpillar C15 (T3 Flex), 475 HP @ 2000 rpm

Impeller diameter 20.0"

Pump speed 2000 rpm

Suction Lift Table

Total Suction Head (feet)	Total Delivery Head (feet)				
	361	459	525	591	591
	Output (USGPM)				
10	2140	1788	1519	1057	815
15	2091	1752	1471	1013	748
20	1827	1783	1409	872	713
25	1431	1387	1277	881	-

Fuel capacity: 240 US Gal

Max Fuel consumption @ 2000 rpm: 24.4 US Gal/hr

Max Fuel consumption @ 1800 rpm: 23.7 US Gal/hr

Weight (Dry): 12,240 lbs

Weight (Wet): 14,040 lbs

Dimensions: (L) 162" x (W) 67" x (H) 95"

Performance data provided in tables is based on water tests at sea level and 20°C ambient. All information is approximate and for general guidance only. Please contact the factory or office for further details.

Materials

Pump casing & suction cover	Cast iron BS EN 1561 - 1997
Wearplates	High Chromium Cast Iron HC403:1977 Grade FR6252
Pump Shaft	Carbon steel BS 970 - 1991 817M40T
Impeller	Cast Steel BS3100 A5 Hardness to 200 HB Brinell
Non-return valve body	Cast Iron
Mechanical seal	Silicon carbide face; Viton elastomers; Stainless steel body

Engine option 2

Caterpillar C15 (IT4), 475 HP @ 2000 rpm

Impeller diameter 20.0"

Pump speed 2000 rpm

Suction Lift Table

Total Suction Head (feet)	Total Delivery Head (feet)				
	361	459	525	591	591
	Output (USGPM)				
10	2140	1788	1519	1057	815
15	2091	1752	1471	1013	748
20	1827	1783	1409	872	713
25	1431	1387	1277	881	-

Fuel capacity: 240 US Gal

Max Fuel consumption @ 2000 rpm: 24.4 US Gal/hr

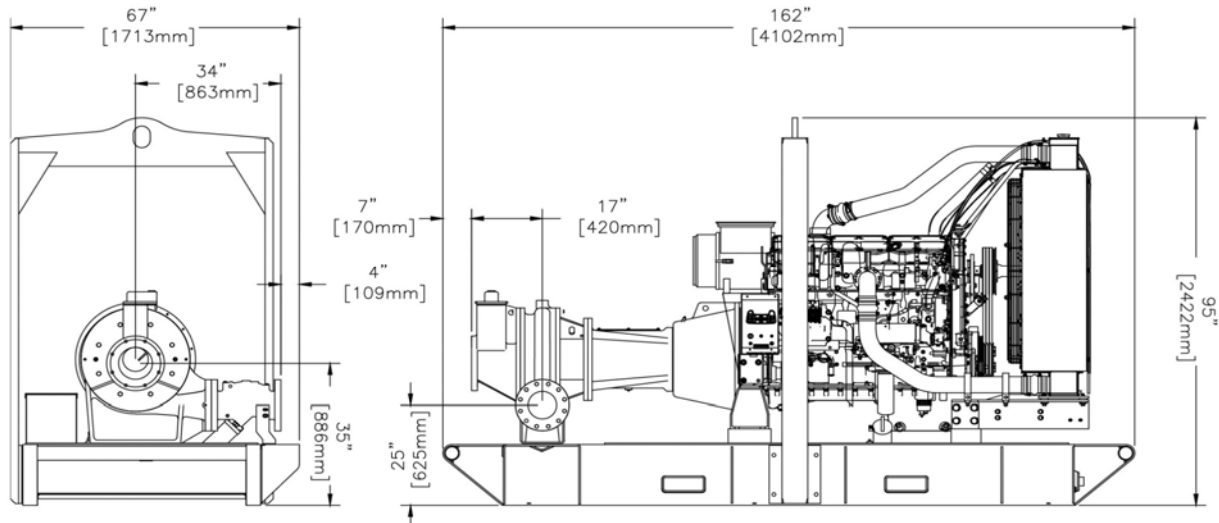
Max Fuel consumption @ 1800 rpm: 23.7 US Gal/hr

Weight (Dry): 13,240 lbs

Weight (Wet): 15,040 lbs

Dimensions: (L) 162" x (W) 67" x (H) 109"

Performance data provided in tables is based on water tests at sea level and 20°C ambient. All information is approximate and for general guidance only. Please contact the factory or office for further details.



84 Floodgate Road
Bridgeport, NJ 08014 USA
(856) 467-3636 . Fax (856) 467-4841
Email: sales@godwinpumps.com

Reference number : 95-1117-3000
Date of issue : February 26, 2014
Issue : 3

www.godwinpumps.com