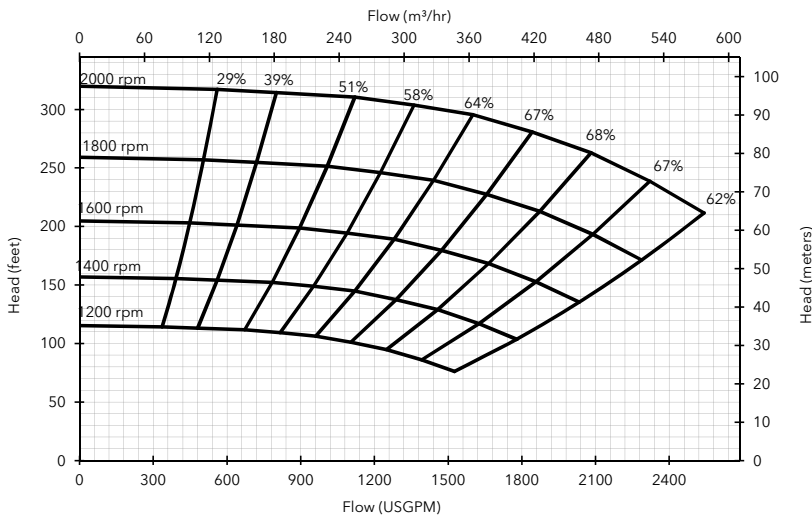


Performance Curve



Engine option 1

Caterpillar C7 (T3 Flex), 225 HP @ 2000 rpm

Impeller diameter 15.7"

Pump speed 2000 rpm

Suction Lift Table

Total Suction Head (feet)	Total Delivery Head (feet)				
	199	226	256	274	298
	Output (USGPM)				
10	2516	2264	1971	1635	629
15	2277	2235	1887	1593	503
20	2013	1929	1808	1510	419
25	1258	1234	1193	1151	-

Fuel capacity: 180 US Gal

Max Fuel consumption @ 2000 rpm: 12.2 US Gal/hr

Max Fuel consumption @ 1800 rpm: 11.9 US Gal/hr

Weight (Dry): 6,330 lbs

Weight (Wet): 7,620 lbs

Dimensions: (L) 147" x (W) 55" x (H) 84"

Performance data provided in tables is based on water tests at sea level and 20°C ambient. All information is approximate and for general guidance only. Please contact the factory or office for further details.

Materials

Pump casing & suction cover	Cast iron BS EN 1561 - 1997
Wearplates	Cast iron BS EN 1561 - 1997
Pump Shaft	Carbon steel BS 970 - 1991 817M40T
Impeller	Cast Steel BS3100 A5 Hardness to 200 HB Brinell
Non-return valve body	Cast Iron
Mechanical seal	Silicon carbide face; Viton elastomers; Stainless steel body

Engine option 2

John Deere 6068HFC94 (IT4), 220 HP @ 2000 rpm

Impeller diameter 15.7"

Pump speed 2000 rpm

Suction Lift Table

Total Suction Head (feet)	Total Delivery Head (feet)				
	199	226	256	274	298
	Output (USGPM)				
10	2516	2264	1971	1635	629
15	2277	2235	1887	1593	503
20	2013	1929	1808	1510	419
25	1258	1234	1193	1151	-

Fuel capacity: 180 US Gal

Max Fuel consumption @ 2000 rpm: 10.9 US Gal/hr

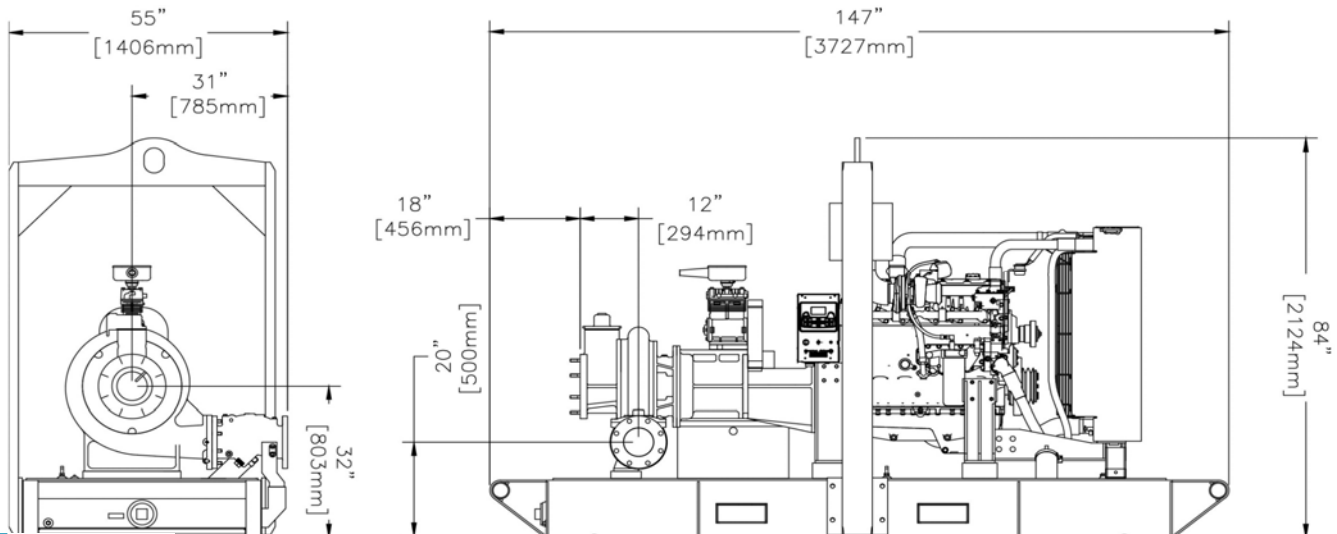
Max Fuel consumption @ 1600 rpm: 10.0 US Gal/hr

Weight (Dry): 6,500 lbs

Weight (Wet): 7,790 lbs

Dimensions: (L) 147" x (W) 55" x (H) 84"

Performance data provided in tables is based on water tests at sea level and 20°C ambient. All information is approximate and for general guidance only. Please contact the factory or office for further details.



84 Floodgate Road
Bridgeport, NJ 08014 USA
(856) 467-3636 . Fax (856) 467-4841
Email: sales@godwinpumps.com

Reference number : 95-1112-3000
Date of issue : February 26, 2014
Issue : 3

www.godwinpumps.com