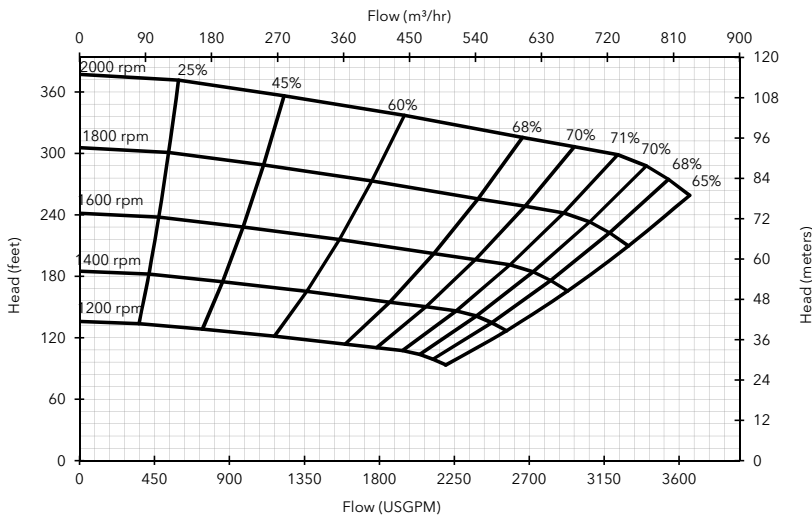


Performance Curve



Engine option 1

Caterpillar C9 (T3 Flex), 300 HP @ 2000 rpm

Impeller diameter 17.3"

Pump speed 2000 rpm

Suction Lift Table

| Total Suction Head (feet) | Total Delivery Head (feet) | | | | |
|---------------------------|----------------------------|------|------|------|------|
| | 245 | 286 | 306 | 326 | 347 |
| | Output (USGPM) | | | | |
| 10 | 3694 | 3278 | 2691 | 1957 | 1223 |
| 15 | 3669 | 3180 | 2495 | 1585 | 978 |
| 20 | 2691 | 2568 | 2348 | 1565 | 783 |
| 25 | 2079 | 1908 | 1712 | 1223 | - |

Fuel capacity: 200 US Gal

Max Fuel consumption @ 2000 rpm: 15.4 US Gal/hr

Max Fuel consumption @ 1800 rpm: 15.1 US Gal/hr

Weight (Dry): 8,810 lbs

Weight (Wet): 10,250 lbs

Dimensions: (L) 152" x (W) 62" x (H) 97"

Performance data provided in tables is based on water tests at sea level and 20°C ambient. All information is approximate and for general guidance only. Please contact the factory or office for further details.

Materials

| | |
|-----------------------------|--|
| Pump casing & suction cover | Cast iron BS EN 1561 - 1997 |
| Wearplates | Cast iron BS EN 1561 - 1997 |
| Pump Shaft | Carbon steel BS 970 - 1991 817M40T |
| Impeller | Cast Steel BS3100 A5 Hardness to 200 HB Brinell |
| Non-return valve body | Cast Iron |
| Mechanical seal | Silicon carbide face; Viton elastomers; Stainless steel body |

Engine option 2

John Deere 6090HFC94 (IT4), 304 HP @ 2000 rpm

Impeller diameter 17.3"

Pump speed 2000 rpm

Suction Lift Table

| Total Suction Head (feet) | Total Delivery Head (feet) | | | | |
|---------------------------|----------------------------|------|------|------|------|
| | 245 | 286 | 306 | 326 | 347 |
| | Output (USGPM) | | | | |
| 10 | 3694 | 3278 | 2691 | 1957 | 1223 |
| 15 | 3669 | 3180 | 2495 | 1585 | 978 |
| 20 | 2691 | 2568 | 2348 | 1565 | 783 |
| 25 | 2079 | 1908 | 1712 | 1223 | - |

Fuel capacity: 200 US Gal

Max Fuel consumption @ 2000 rpm: 15.1 US Gal/hr

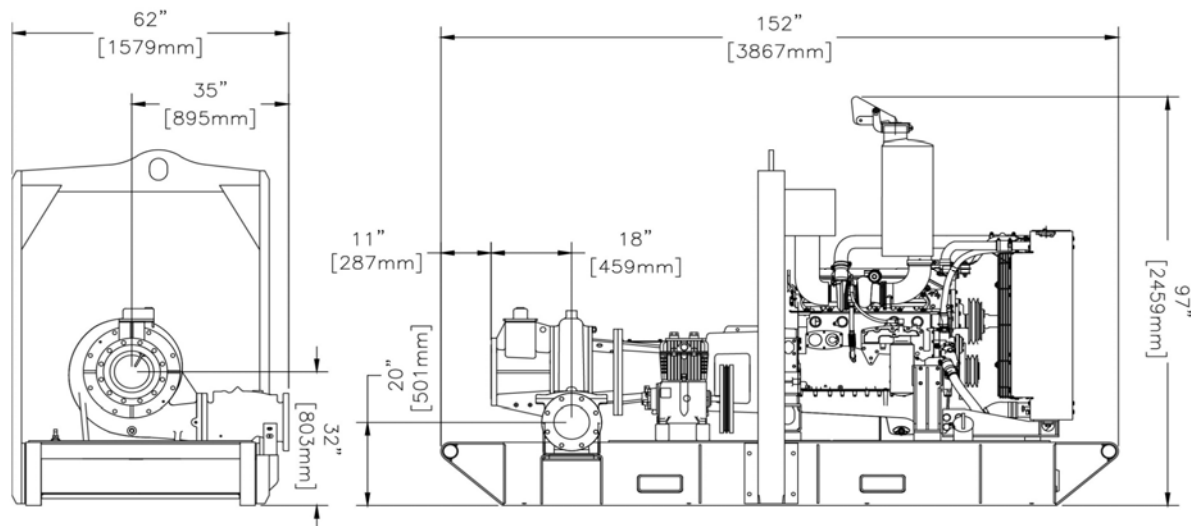
Max Fuel consumption @ 1800 rpm: 14.7 US Gal/hr

Weight (Dry): 9,390 lbs

Weight (Wet): 10,830 lbs

Dimensions: (L) 152" x (W) 62" x (H) 97"

Performance data provided in tables is based on water tests at sea level and 20°C ambient. All information is approximate and for general guidance only. Please contact the factory or office for further details.



84 Floodgate Road
Bridgeport, NJ 08014 USA
(856) 467-3636 . Fax (856) 467-4841
Email: sales@godwinpumps.com

Reference number : 95-1113-3000
Date of issue : February 26, 2014
Issue : 3

www.godwinpumps.com