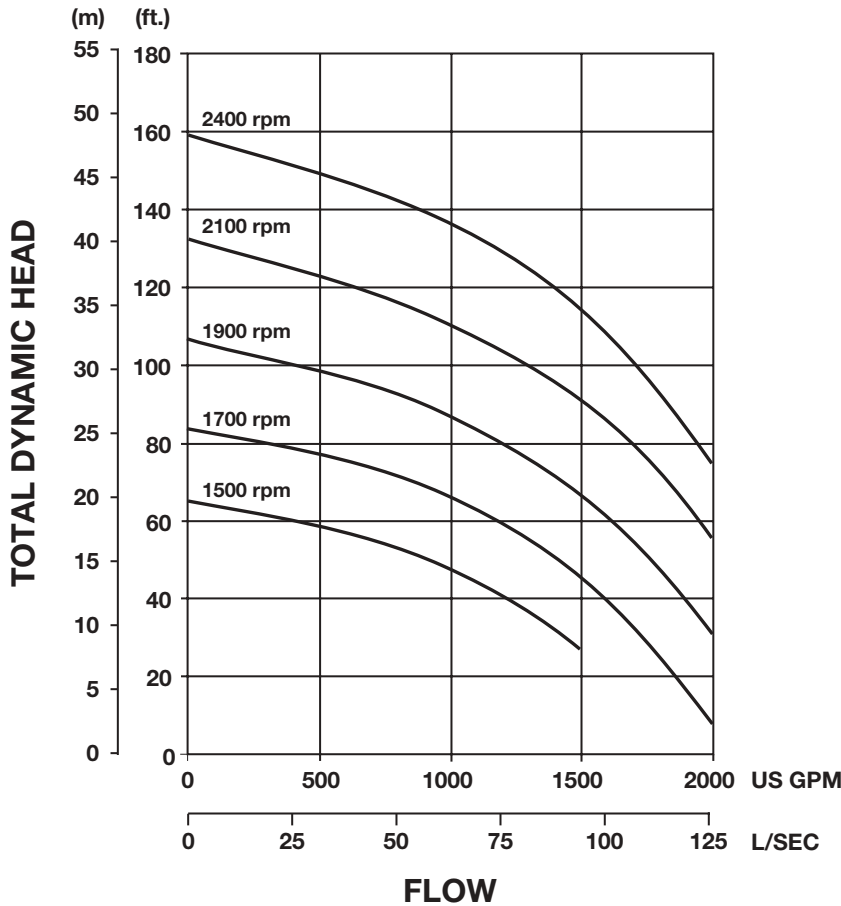


Heidra® 150MR Performance Curve

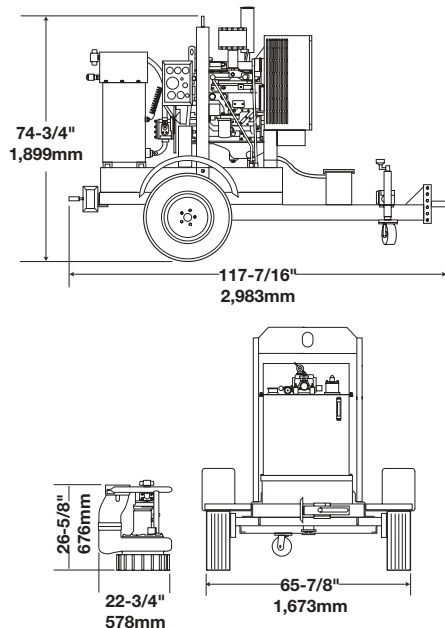


Performance data from curve based on water tests at sea level and 68° F (20° C). Larger diameter pipes may be required for maximum flows.

Dimensions

Weights (approx.)

Pump 355 lbs. (161 kg.)
 Power Pack 2,996 lbs. (1,359 kg.)



Specifications

Submersible Pump:

Hydraulic Motor: Gear Type
 Drive Pressures: Up to 3500 psi (241 BAR)
 Flow: Up to 32 gallons (121 liters)
 Pump Speed: Up to 2200 rpm (approx.)
 Impeller Diameter: 11" (279mm)
 Solids Handling: 3" (75mm) in diameter
 Weight: 355 lbs. (161 kg.)
 Discharge: 6" (150mm) FNPT
 Hydraulic Connections: 1" (25mm) Wingnut Quick Disconnect fittings
 Strainer: M.S. Fabrication nylon coated with 2.75" (70mm) square apertures

Power Pack:

Engine: John Deere 4045D
 72 hp (53 kw) @ 2400 rpm
 Caterpillar 3054NA
 74 hp (55 kw) @ 2200 rpm
 Hydraulic System: Two pipe open circuit
 Hydraulic Reservoir Capacity:
 40 gallons (151 liters)
 Control: Via variable speed engine
 Hydraulic Pump: Gear type
 Output Flow: 32 gallons (121 liters)
 Output pressure: 3500 psi (241 BAR)
 Suction Filter: 125 micron pleated gauze
 Return Line Filter: 20 micron
 Hydraulic Pipe Connections: 1" (25mm) Wingnut Quick Disconnect fittings

Materials

Pump Casing and Suction Cover: Cast Iron
Bearing & Seal Housing and Front Wearplate: Cast Iron
Pump Shaft: Medium Carbon Steel
Impeller: Cast Steel
Rear Wearplate: Mild Steel
Mechanical Seal: Double mechanical seal in oil bath
 Outboard: Silicone Carbide
 Inboard: Carbon or Ceramic
Lifting Bracket: Fabricated Mild Steel tube & plate

godwin
pumps

One Floodgate Road, Bridgeport, NJ 08014, USA
 (856) 467-3636 • Fax: (856) 467-4841

Quenington, Cirencester, Glos., GL7 5BX, UK
 +44 (0)1285 750271 • Fax: +44 (0)1285 750352

E-mail: sales@godwinpumps.com
 www.godwinpumps.com

BRANCH LOCATIONS:

Norwich, CT • Buffalo, NY • Chicago, IL • Pittsburgh, PA
 Washington, DC • Richmond, VA • Virginia Beach, VA
 Charleston, WV • Raleigh, NC • Charlotte, NC
 N. Charleston, SC • Atlanta, GA • Houston, TX
 San Antonio, TX • Helena, MT • Los Angeles, CA

Heidra® and the color orange for pumps are registered trademarks of Godwin Pumps of America, Inc. Specifications and illustrations are subject to revision without notice.

© Copyright 2003 Godwin Pumps of America, Inc. All rights reserved.