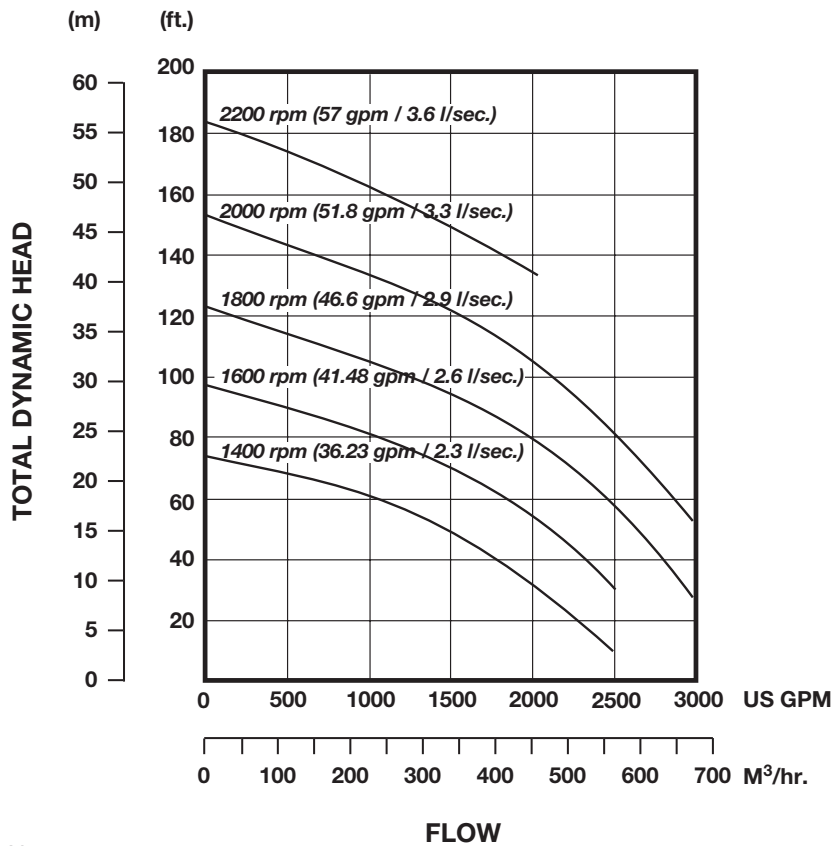


Heidra® 200 Performance Curve



Notes:

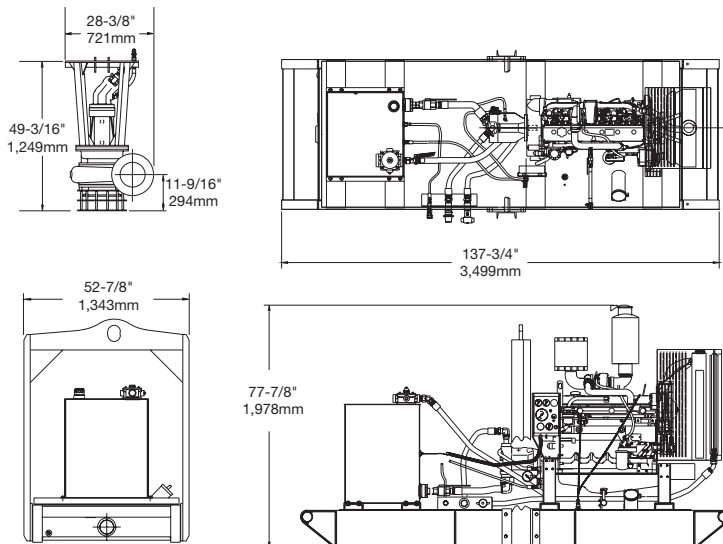
1. Impeller diameter: 11-3/8" (290 mm)
2. Performance curves based on diesel engine speed
3. Requires hydraulic system pressure to 4000 psi (276 BAR)

Performance data based on water testing at sea level and 68° F. Larger diameter pipes may be required for maximum flows.

Dimensions

Heidra 200 — shown with John Deere 6068T, Skid Base
 Pump Weight: 780 lbs. (354 kg.)

Complete pumpset is supplied with one each of 1-1/4" X 50' (32mm x 15.25M) high pressure feed and return hoses and one 1/2" X 50' (13mm x 15.25M) low pressure case drain hose.



Specifications

Submersible Pump:

- Hydraulic Motor: Fixed Piston
- Drive Pressure: Up to 4000 psi (276 BAR)
- Hydraulic Flow: Up to 57 gpm (3.6 l/sec.)
- Hydraulic Line Length: 100 feet / 30.5M (longer runs with larger hose)
- Solids Handling: Up to 3-1/8" (79mm) diameter
- Pump Speed: Up to 2200 rpm
- Impeller Diameter: 11-3/8" (290mm)
- Discharge Flange: 8" (200mm) ASA 150
- Hydraulic Connections: 1-1/4" (32mm) Quick Disconnect
- Strainer: Nylon coated with 2-3/4" (70mm) apertures

Power Pack:

- John Deere 6068T Engine
 - Horsepower: 147 hp (110 kw) @ 2200 rpm
 - Fuel Consumption: 7.2 gph (27 lph)
- Caterpillar 3116TA Engine
 - Horsepower: 143 hp (107 kw) @ 2200 rpm
 - Fuel Consumption: 7.6 gph (29 lph)
- Fuel Tank Capacity: 175 gallons (662 liters)
- Output
 - Hydraulic Flow: 57 gpm (3.7 l/sec.)
 - Pressure: 4000 psi (276 BAR)
 - Control: From engine speed and pressure compensated
- Hydraulic System: Two pipe, open circuit
- Reservoir: 80 gallon (303 liters)
- Control Valve: Pressure compensated on/off valve
- Connections: 1-1/4" (32mm) Quick Disconnect feed and return
 1/2" (13mm) Quick Disconnect case drain
- Supply Line: 125 micron, pleated gauze
- Return Line: 20 micron



One Floodgate Road, Bridgeport, NJ 08014, USA
 (856) 467-3636 • Fax: (856) 467-4841

Quenington, Cirencester, Glos., GL7 5BX, UK
 +44 (0)1285 750271 • Fax: +44 (0)1285 750352

E-mail: sales@godwinpumps.com
 www.godwinpumps.com

BRANCH LOCATIONS:

- Norwich, CT • Buffalo, NY • Pittsburgh, PA • Chicago, IL
- Washington, DC • Richmond, VA • Virginia Beach, VA
- Charleston, WV • Raleigh, NC • Charlotte, NC
- N. Charleston, SC • Atlanta, GA • Houston, TX
- San Antonio, TX • Helena, MT • Los Angeles, CA

Heidra® and the color orange for pumps are registered trademarks of Godwin Pumps of America, Inc. Specifications and illustrations are subject to revision without notice. © Copyright 2002-2003 Godwin Pumps of America, Inc. GPASL.050.903