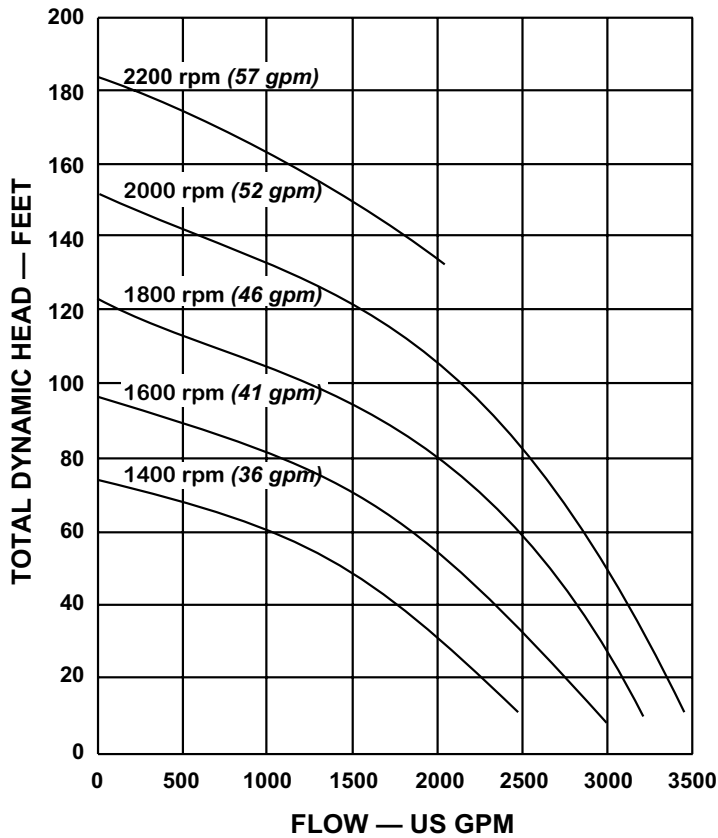


Heidra 250 Performance Curve



Notes:

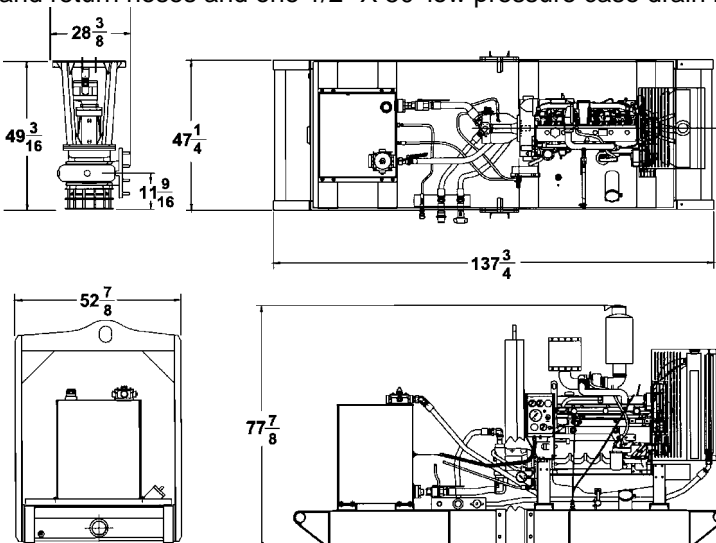
- 1 Impeller diameter: 11-2/5" (290 mm)
2. Performance curves based on diesel engine speed
3. Requires hydraulic system pressure to 4000 psi

Performance data based on water testing at sea level and 68° F. Larger diameter pipes may be required for maximum flows.

Dimensions

Heidra 250 — John Deere 6068T, Skid Base
 Pump Weight: 800 lbs.

Complete pumpset is supplied with one each of 1-1/4" X 50' high pressure feed and return hoses and one 1/2" X 50' low pressure case drain hose.



All dimensions listed in inches.

Specifications

Submersible Pump:

- Hydraulic Motor: Fixed Piston
- Drive Pressure: Up to 4000 psi
- Hydraulic Flow: Up to 57 gpm
- Hydraulic Line Length: 100 feet (longer runs with larger hose)
- Solids Handling: Up to 3-1/8" diameter
- Pump Speed: Up to 2200 rpm
- Impeller Diameter: 11-3/7"
- Discharge Flange: 10" ASA 150
- Hydraulic Connections: 1-1/4" Quick Disconnect
- Strainer: Nylon coated with 2-3/4" apertures

Hydraulic Power Pack:

- Engine
 - Horsepower: 147 hp @ 2200 rpm
 - Fuel Consumption: 7.2 gph
 - Fuel Tank Capacity: 175 gallons
- Output
 - Hydraulic Flow: 57 gpm
 - Pressure: 4000 psi
 - Control: From engine speed and pressure compensated
- Hydraulic System: Two pipe, open circuit
- Reservoir: 80 gallon
- Control Valve: Pressure compensated on/off valve
- Connections: 1-1/4" Quick Disconnect feed and return
 1/2" Quick Disconnect case drain
- Filters
 - Supply Line: 125 micron, pleated gauze
 - Return Line: 20 micron



One Floodgate Road, Bridgeport, NJ 08014
 Tel: (856) 467-3636 • Fax: (856) 467-4841
www.godwinpumps.com

BRANCH LOCATIONS:

- Norwich, CT • Buffalo, NY • Chicago, IL
- Washington, DC • Richmond, VA • Virginia Beach, VA
- Charleston, WV • N. Charleston, SC
- Atlanta, GA • Houston, TX • Raleigh, NC

Specifications and illustrations are subject to revision without notice.
 © Copyright 2000 Godwin Pumps of America, Inc.