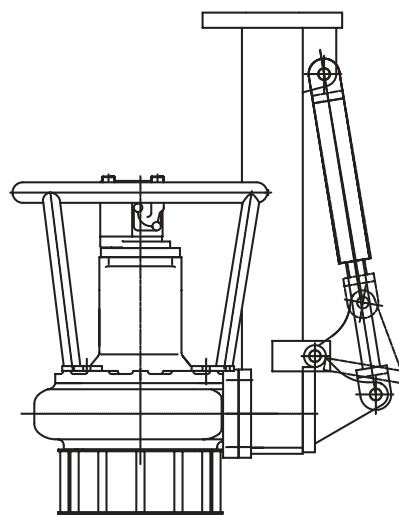
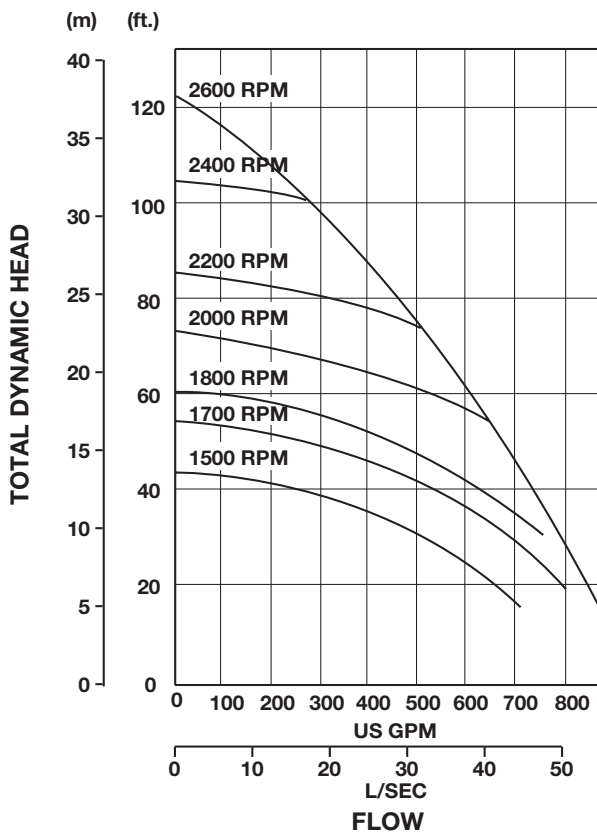


Heidra® HS100SG Slurry Gate Hydraulic Submersible Trash/Sludge Pump



The Heidra HS100SG is a versatile, 4" (100mm) hydraulic submersible pump capable of passing solids up to 2" (50mm), stringy materials and slurries. A remotely-operated slurry gate allows the pump to act as a mixer, ideal for pumping thick, viscous, solids-laden sludges, such as those found in WWTP digesters, environmental clean-ups and API separators at refineries.

Features

- Semi-open impeller will pass solids up to 2" (50mm) in diameter.
- Lightweight construction for ease-of-portability.
- Oil bath mechanical seal for dry running capability.
- Variable speed.
- Safe hydraulic drive can be used where electric power is hazardous.
- Available in ductile iron and stainless steel. Aluminum available upon request.
- Operates with a variety of hydraulic power packs.

Specifications

Weight	191 lb. (87 kg.)
Height	32.4" (824mm)
Width	28.7" x 16.5" (729mm x 420mm)
Discharge	4" (100mm) NPT (F)
Inlet	Flanged 4" (100mm) ASA 150
Solids Handling	2" (50mm)
Hose Ports	3/4" (19mm)
Pump Body	Cast Iron (Aluminum upon request)
Impeller	Cast Chromium Steel
Wearplate	Cast Iron
Shaft	Mild Steel
Hydraulic Oil	214-320 s.s.u. @ 100° F (32° C)
Input Flow	8.8 gpm / .56 l/sec. (Std.)
Operating Pressure	Max. 3350 psi (231 BAR)
Power Source	Any open center hydraulic system

One Floodgate Road, Bridgeport, NJ 08014, USA • (856) 467-3636 • Fax: (856) 467-4841
 Quenington, Cirencester, Glos. GL7 5BX, UK • Tel: +44 (0)1285-750271 • Fax: +44 (0)1285-750352
 E-mail: sales@godwinpumps.com • www.godwinpumps.com

LOCATIONS: Connecticut • Pennsylvania • New York • Ohio • Illinois • Maryland
 Virginia • West Virginia • Georgia • South Carolina • North Carolina
 Florida • Texas • Montana • California • Washington

HOME OFFICES:

**godwin
pumps**