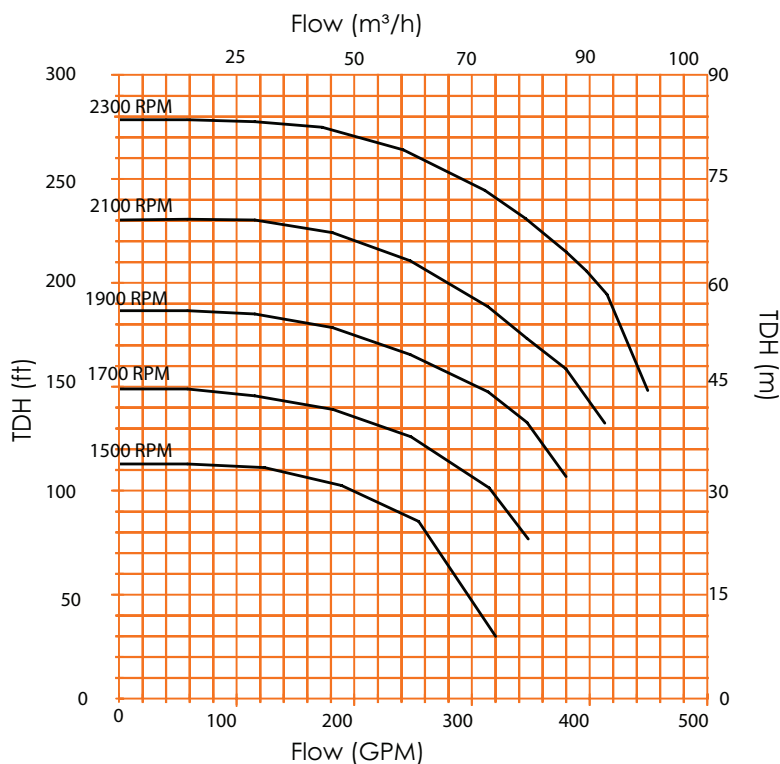


Pump Curve



Materials

Parts	Material Type
Casing	Cast iron
Front and Rear Wearplates	Cast iron
Shaft	1-1/2% Ni/CR steel
Impeller	Cast CR Steel, 341 BN hardness
Bearing and Seal Housing	Cast Iron
Mechanical Seal	Double mechanical seal in oil bath with solid silicone carbide faces
Lifting Bracket	Fabricated mild steel tube and plate

Performance Table

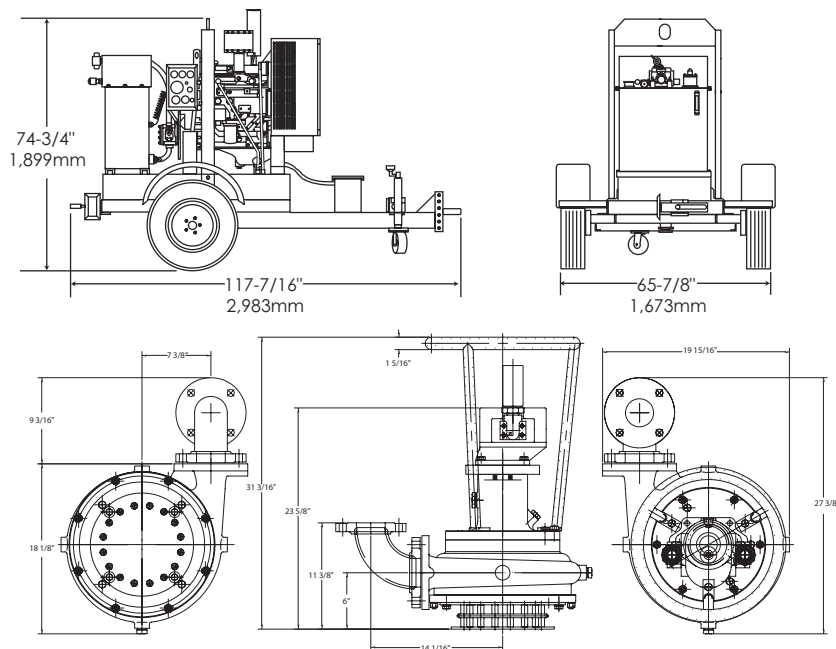
Diesel Set : JD 4045T280
 Max Power Output: 71 HP (53 kw) @ 2400 RPM
 Impeller Diameter: 12.8" (325 mm)

	400	300	200	100
GPM	400	300	200	100
Feet	200	250	270	278
PSI	86.5	108	116.9	120.3

Performance data listed in table and curves based on water tests at sea level and 68°F (20°C). Maximum flows may require larger diameter pipes.

Drawings

HS150MR hydraulic powerpack and HS80HH pumpend.



Home Office:
 Godwin Pumps of America, Inc.
 84 Floodgate Road
 Bridgeport, NJ 08014 USA
 (856) 467-3636 • Fax: (856) 467-4841
 sales@godwinpumps.com
 www.godwinpumps.com

