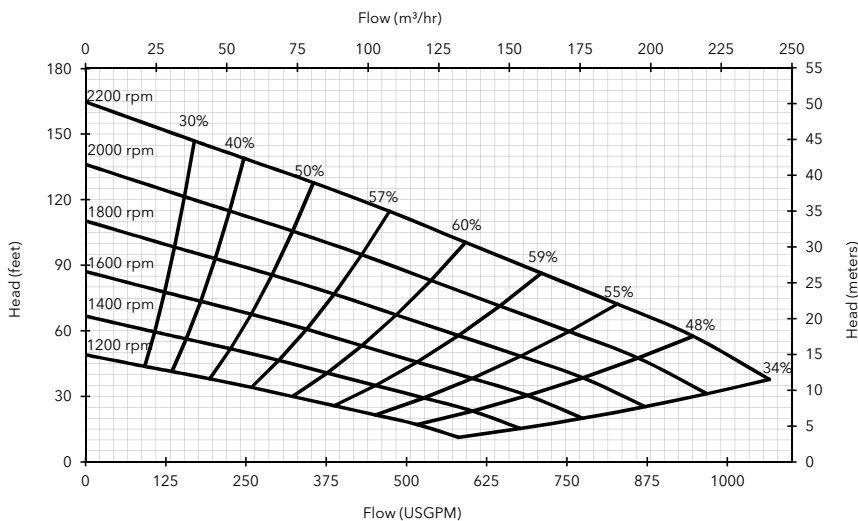


## Performance Curve



### Motor option 1 (This motor requires a VFD)

Weg, 03018ET3E286T-W22, 30 HP @ 2200 rpm

Impeller diameter 10.1"

Pump speed 2200 rpm

#### Suction Lift Table

Total Suction Head (feet)	Total Delivery Head (feet)				
	33	66	98	148	131
	Output (USGPM)				
10	1013	793	528	88	-
15	925	748	484	66	-
20	815	704	440	22	-
25	625	599	396	-	-

Weight (Dry): 1,840 lbs

Voltage/Phase: 460V, 3 Phase

Rated Current: 35A

Dimensions: (L) 72" x (W) 31" x (H) 46"

Performance data provided in tables is based on water tests at sea level and 20°C ambient. All information is approximate and for general guidance only. Please contact the factory or office for further details.

## Materials

Pump casing & suction cover	Cast iron BS1561:1997
Wearplates	Front - Hard Iron EN12513:2000 Rear - Cast Iron BS1561:1997 0
Pump Shaft	Carbon steel BS970:1991 817M40T
Impeller	Hard Iron EN12513:2000
Non-return Valve body	Cast iron BS1561:1997
Mechanical Seal	Silicon carbide face; Viton elastomers; Stainless steel body

### Motor option 2

Weg, 02518ET3E284T-W22, 25 HP @ 1800 rpm

Impeller diameter 10.1"

Pump speed 1800 rpm

#### Suction Lift Table

Total Suction Head (feet)	Total Delivery Head (feet)				
	15	37	59	92	81
	Output (USGPM)				
10	829	648	432	72	-
15	756	612	396	54	-
20	666	576	360	18	-
25	512	490	324	-	-

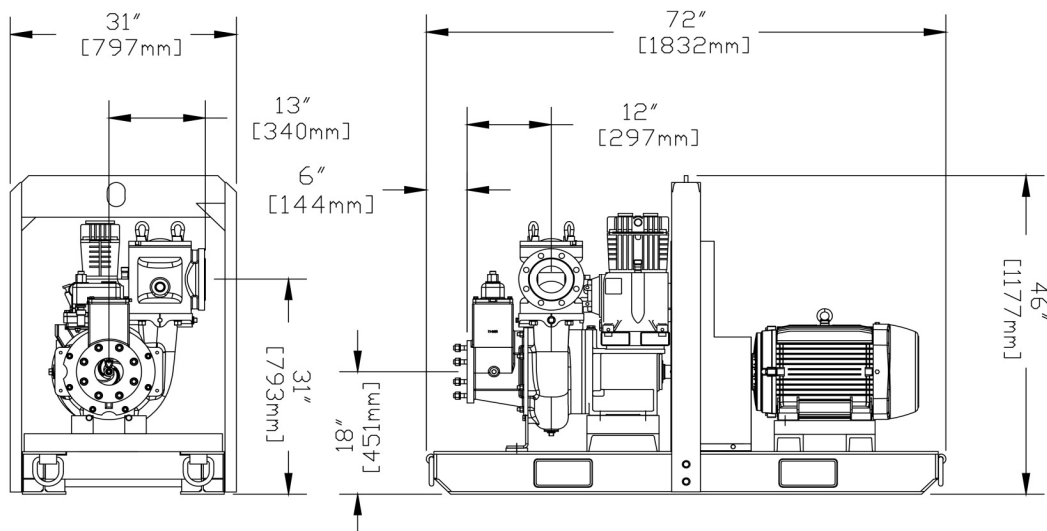
Weight (Dry): 1,790 lbs

Voltage/Phase: 460V, 3 Phase

Rated Current: 30A

Dimensions: (L) 72" x (W) 31" x (H) 46"

Performance data provided in tables is based on water tests at sea level and 20°C ambient. All information is approximate and for general guidance only. Please contact the factory or office for further details.



84 Floodgate Road  
Bridgeport, NJ 08014 USA  
(856) 467-3636 . Fax (856) 467-4841  
Email: sales@godwinpumps.com

Reference number : 95-1807-3000  
Date of issue : September 15, 2014  
Issue : 1

[www.godwinpumps.com](http://www.godwinpumps.com)