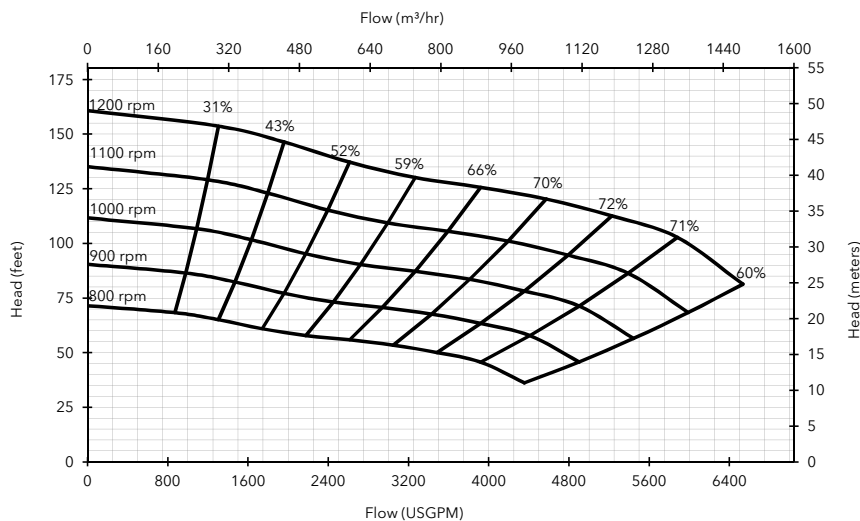


## Performance Curve



### Engine option 1

Caterpillar, C9 (T3 Flex), 300 HP @ 1800 rpm

Impeller diameter 18.7"

Pump speed 1200 rpm driven by 1.5:1 gearbox

#### Suction Lift Table

Total Suction Head (feet)	Total Delivery Head (feet)				
	33	66	105	131	138
	Output (USGPM)				
10	6604	6164	5063	2201	-
15	6164	5724	4293	1541	-
20	5283	4843	3522	1321	440
25	-	-	-	-	-

Fuel capacity: 10 US Gal

Max Fuel consumption @ 1800 rpm: 15.1 US Gal/hr

Max Fuel consumption @ 1600 rpm: 14.3 US Gal/hr

Weight (Dry): 16,020 lbs

Weight (Wet): 16,020 lbs

Dimensions: (L) 185" x (W) 83" x (H) 99"

Performance data provided in tables is based on water tests at sea level and 20°C ambient. All information is approximate and for general guidance only. Please contact the factory or office for further details.

## Materials

Pump casing & suction cover	Cast iron BS1561:1997
Wearplates	Cast iron ISO 185 - Grade 250
Pump Shaft	Carbon steel BS 970:1991 817M40T
Impeller	Cast iron ISO 185 - Grade 250
Non-return Valve body	Cast iron BS EN 1561 - 1997
Mechanical Seal	Silicon carbide face; Viton elastomers; Stainless steel body

### Engine option 2

John Deere, 6090HFC94 (IT4), 302 HP @ 1800 rpm

Impeller diameter 18.7"

Pump speed 1200 rpm driven by 1.5:1 gearbox

#### Suction Lift Table

Total Suction Head (feet)	Total Delivery Head (feet)				
	33	66	105	131	138
	Output (USGPM)				
10	6604	6164	5063	2201	-
15	6164	5724	4293	1541	-
20	5283	4843	3522	1321	440
25	-	-	-	-	-

Fuel capacity: 10 US Gal

Max Fuel consumption @ 1800 rpm: 14.7 US Gal/hr

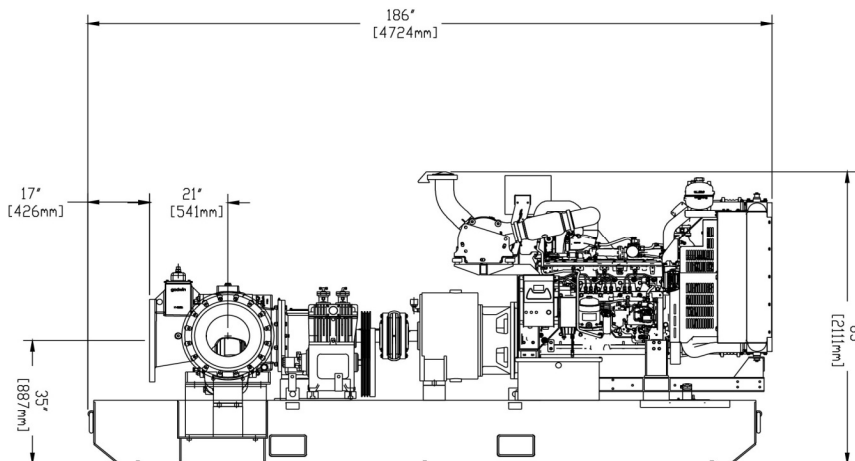
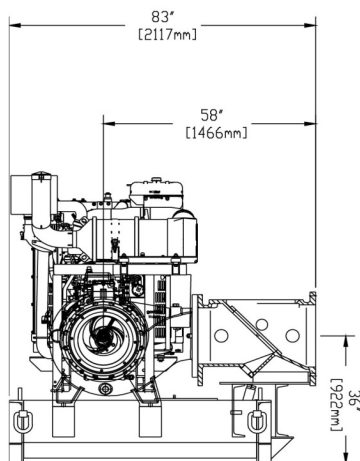
Max Fuel consumption @ 1600 rpm: 14.3 US Gal/hr

Weight (Dry): 16,880 lbs

Weight (Wet): 16,880 lbs

Dimensions: (L) 186" x (W) 83" x (H) 83"

Performance data provided in tables is based on water tests at sea level and 20°C ambient. All information is approximate and for general guidance only. Please contact the factory or office for further details.



84 Floodgate Road  
Bridgeport, NJ 08014 USA  
(856) 467-3636 . Fax (856) 467-4841  
Email: sales@godwinpumps.com

Reference number : 95-1809-3000  
Date of issue : August 26, 2014  
Issue : 4

[www.godwinpumps.com](http://www.godwinpumps.com)