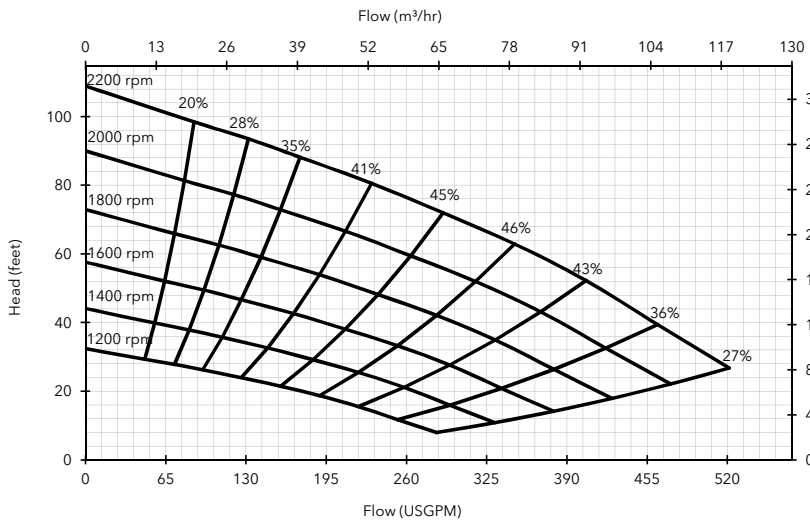


Performance Curve



Materials

Pump casing & suction cover	Cast iron BS1561:1997
Wearplates	Front - Hard Iron EN12513:2000 Rear - Cast Iron BS1561:1997 0
Pump Shaft	Carbon steel BS970:1991 817M40T
Impeller	Hard Iron EN12513:2000
Non-return Valve body	Cast iron BS1561:1997
Mechanical Seal	Silicon carbide face; Viton elastomers; Stainless steel body

Engine option 1

Yanmar, 3TNV70 (IT4 Flex), 15 HP @ 2200 rpm

Impeller diameter 8"

Pump speed 2200 rpm

Suction Lift Table

Total Suction Head (feet)	Total Delivery Head (feet)				
	20	52	69	79	92
	Output (USGPM)				
10	506	357	247	176	66
15	484	330	198	141	-
20	458	286	176	110	-
25	396	264	132	88	-

Fuel capacity: 30 US Gal

Max Fuel consumption @ 2200 rpm: 0.9 US Gal/hr

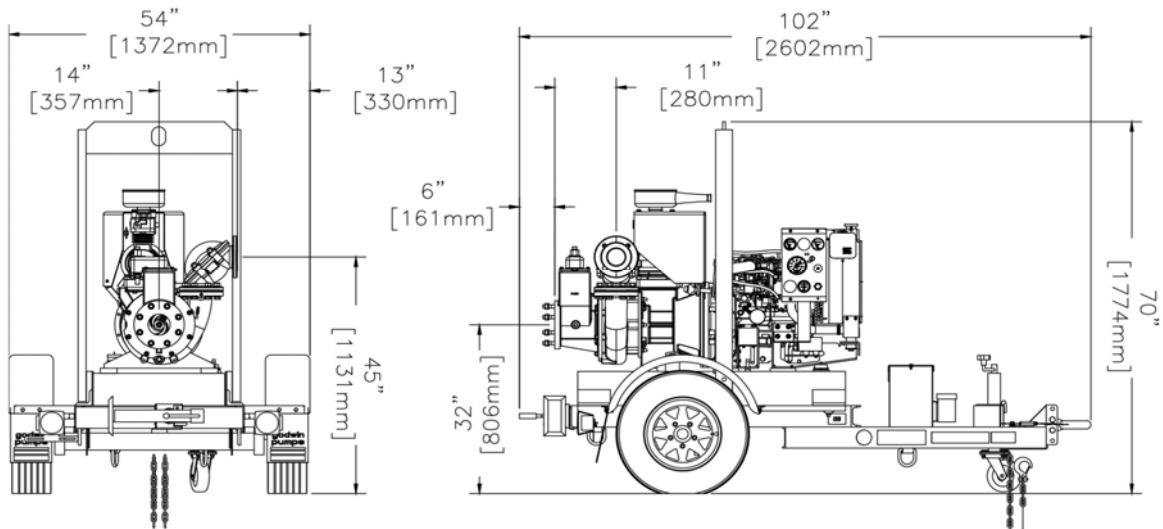
Max Fuel consumption @ 1400 rpm: 0.5 US Gal/hr

Weight (Dry): 1,720 lbs

Weight (Wet): 1,940 lbs

Dimensions: (L) 102" x (W) 54" x (H) 70"

Performance data provided in tables is based on water tests at sea level and 20°C ambient. All information is approximate and for general guidance only. Please contact the factory or office for further details.



84 Floodgate Road
Bridgeport, NJ 08014 USA
(856) 467-3636 . Fax (856) 467-4841
Email: sales@godwinpumps.com

Reference number : 95-1808-3000
Date of issue : February 26, 2014
Issue : 7

www.godwinpumps.com